

# Technical Bulletin

Bulletin Number: 466 Revision Number: R-03

Release Date: February 10, 1993 Revision Date: February 26, 1999

**SUBJECT:** ROTORS

**MODELS AFFECTED:** All

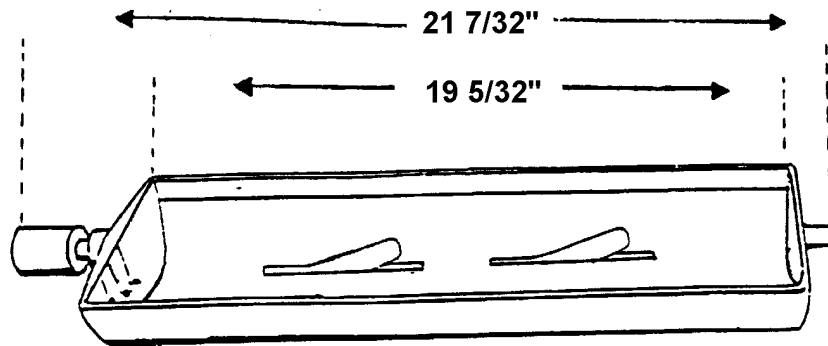
**REASON:** To provide a list of all rotors used in Dixie-Narco venders and their approximate dimensions.

## INDEX

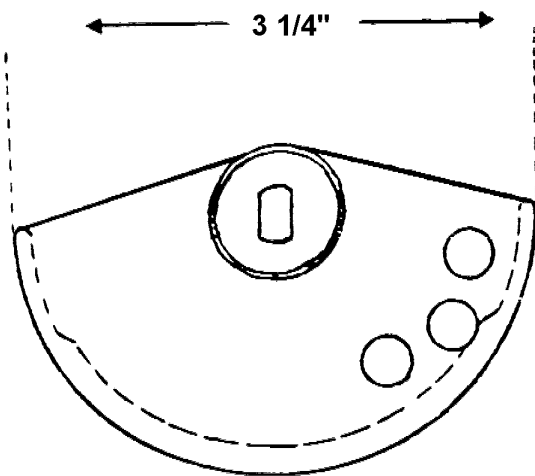
A) E-model Series 90 Rotor .....	Page 2
B) E-Model Series 90 330 ml x 4 Can Rotor .....	Page 3
C) E-Model Series 90 Gatorade Rotor .....	Page 4
D) T-Model Series 90 Triple Depth Can Rotor.....	Page 5
E) T-Model Series 90 Rotor .....	Page 6
F) T-Model Pre-Series 90 Triple Depth Can Rotor .....	Page 7
G) T-Model Pre-Series 90 Rotor.....	Page 8
H) Shimless Stack Series 90.....	Page 9
I) Shimless Stack Pre-Series 90 Rotor.....	Page 10
J) Pre-Shimless Stack 1¼" Deeper Rotor.....	Page 11
K) Standard Rotor.....	Page 12

**Note:** *Dates and serial numbers listed are approximate time of changes.*

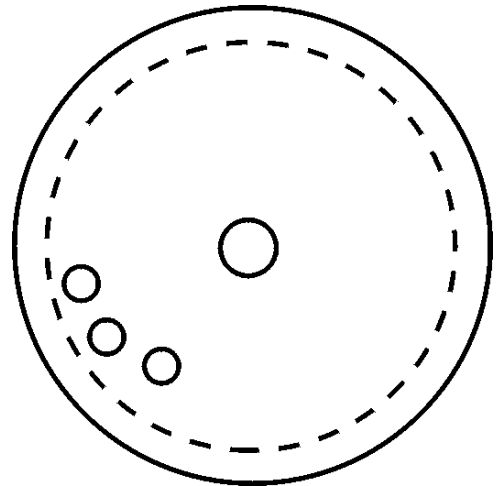
**SERIES 90 E-MODEL ROTOR**  
**801,201,56x.x1**



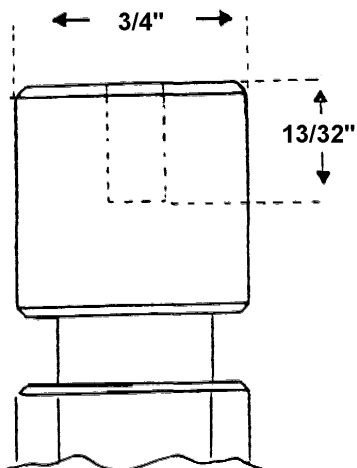
Side View



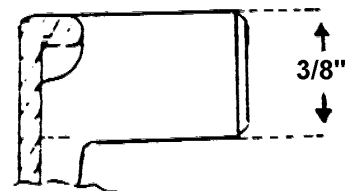
Front View



Back View



Front Pin

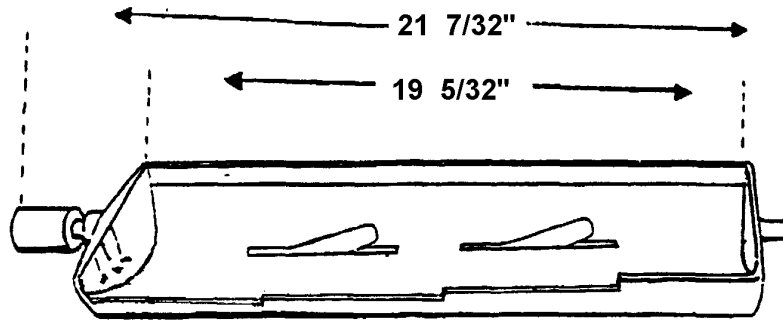


Back Pin

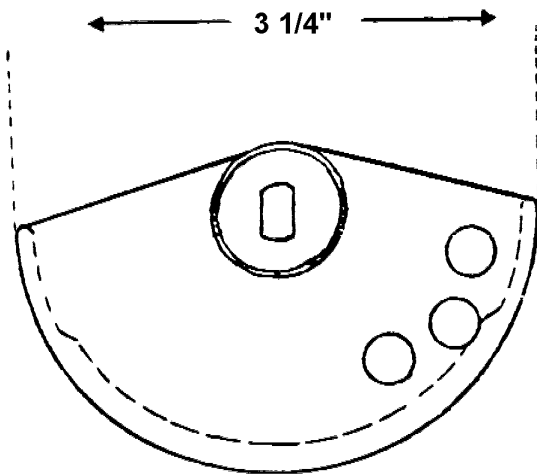
4<sup>th</sup> Qtr. 1996 to Present  
S/N 0001-6368DU and higher

\* All Measurements Are Approximate

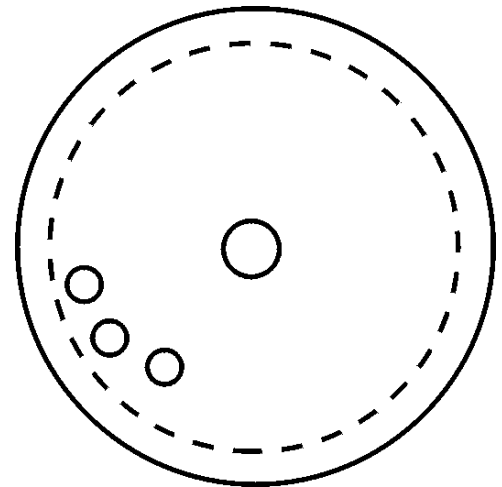
**SERIES 90 E-MODEL 330 ml x 4 CAN ROTOR  
801,201,65x.x1**



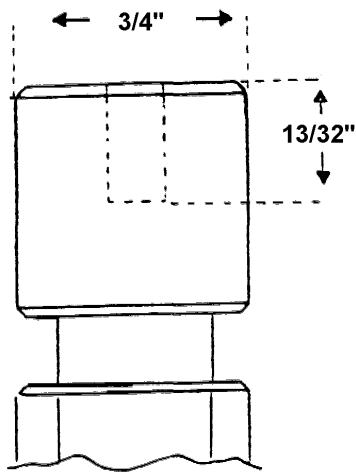
**Side View**



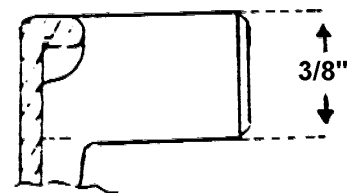
**Front View**



**Back View**



**Front Pin**

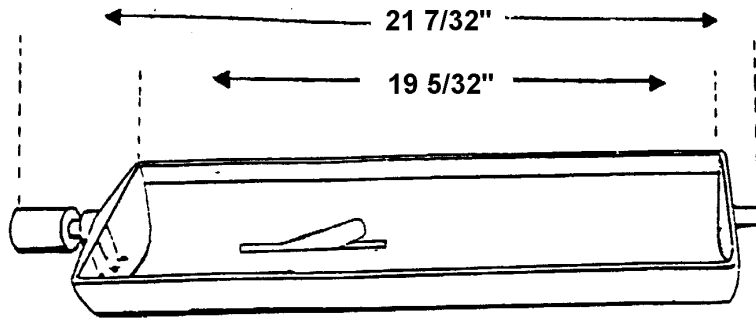


**Back Pin**

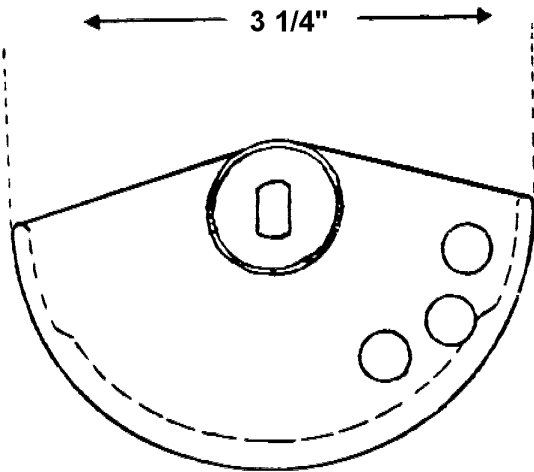
4<sup>th</sup> Qtr. 1996 to Present  
S/N 0001-6368DU and higher

\* All Measurements Are Approximate

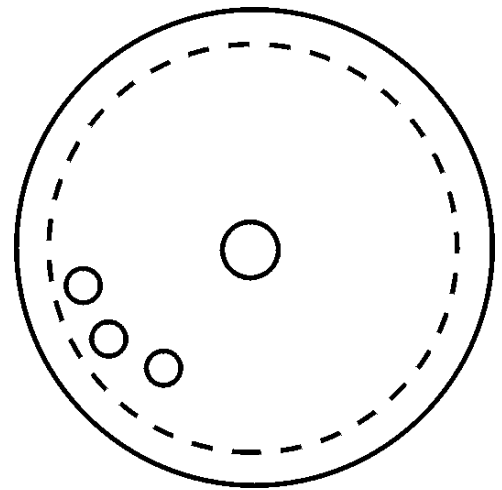
**SERIES 90 E-MODEL GATORADE ROTOR  
801,201,66x.x1**



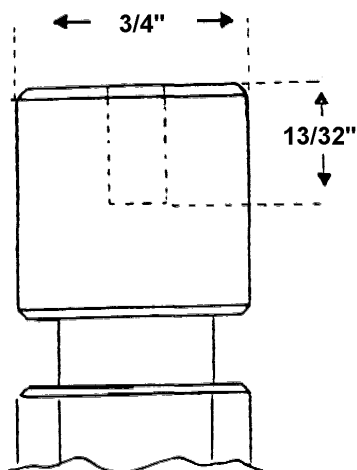
**Side View**



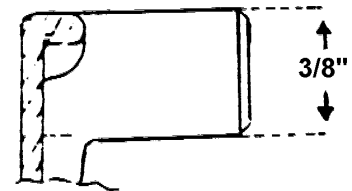
**Front View**



**Back View**



**Front Pin**

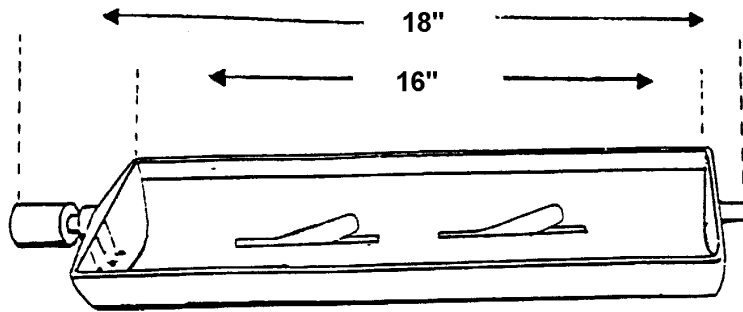


**Back Pin**

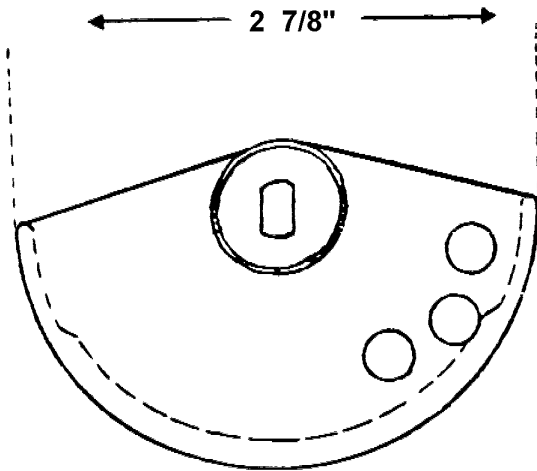
4<sup>th</sup> Qtr. 1996 to Present  
S/N 0001-6368DU and higher

\* All Measurements Are Approximate

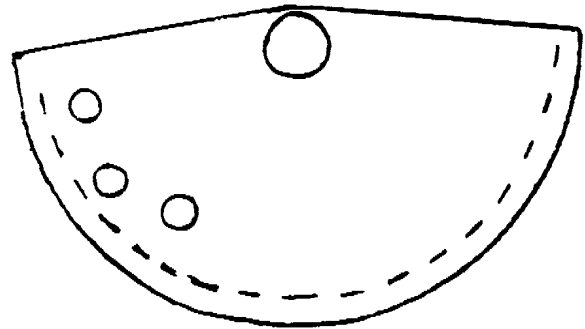
**SERIES 90 TRIPLE DEPTH CAN ROTOR**  
**801,201,23x.x1**



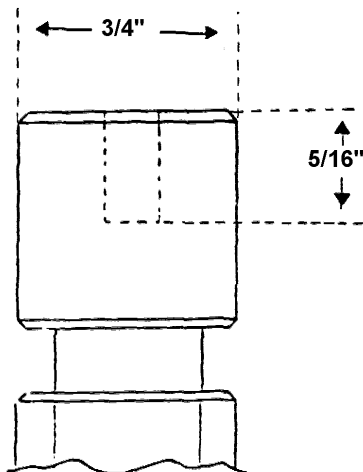
**Side View**



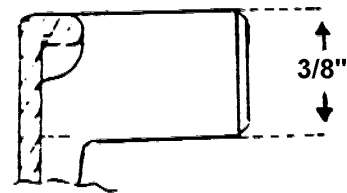
**Front View**



**Back View**



**Front Pin**

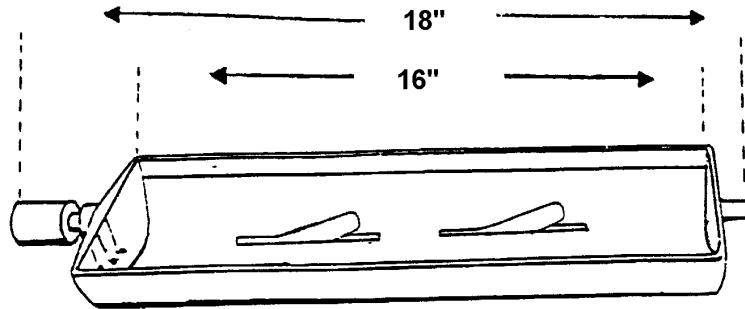


**Back Pin**

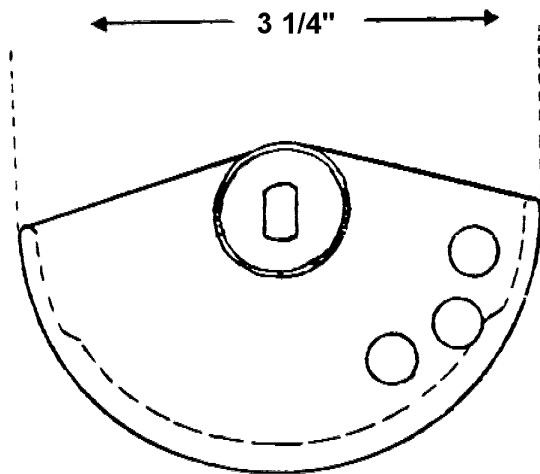
1<sup>st</sup> Qtr. 1990 to Present  
 S/N 0001-3176AO and Higher

\* All Measurements Are Approximate

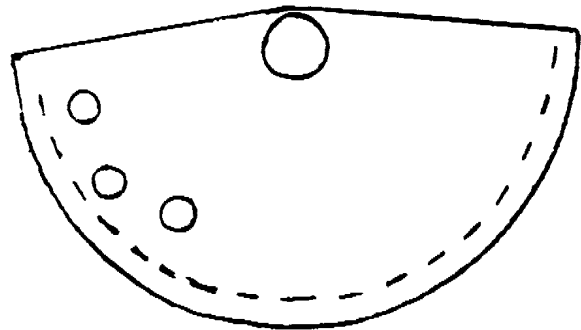
**SERIES 90 T-MODEL ROTOR**  
**801,201,22x.x1**



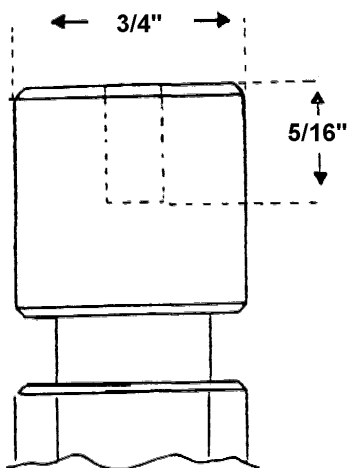
**Side View**



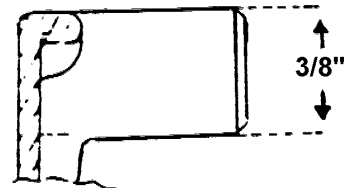
**Front View**



**Back View**



**Front Pin**

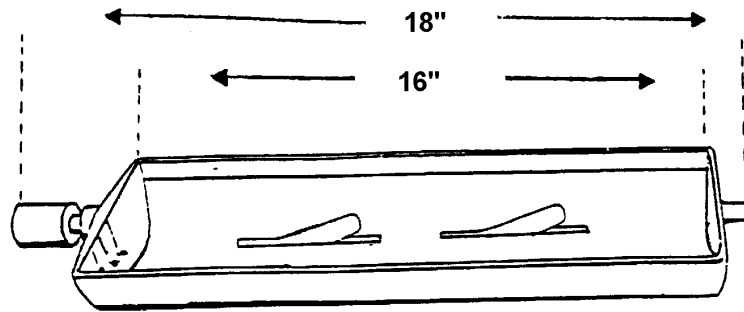


**Back Pin**

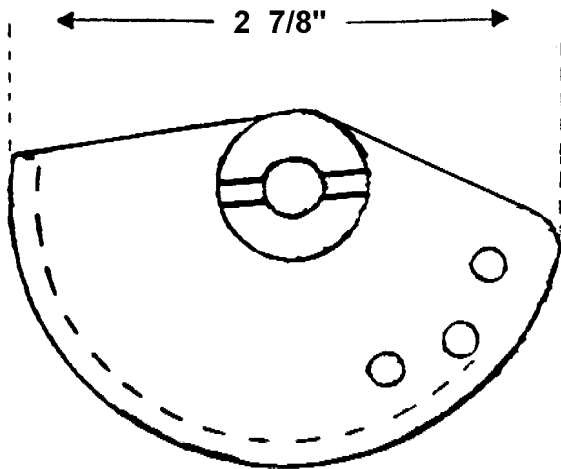
1<sup>st</sup> Qtr. 1990 to Present  
 S/N 0001-3176AO and Higher

\* All Measurements Are Approximate

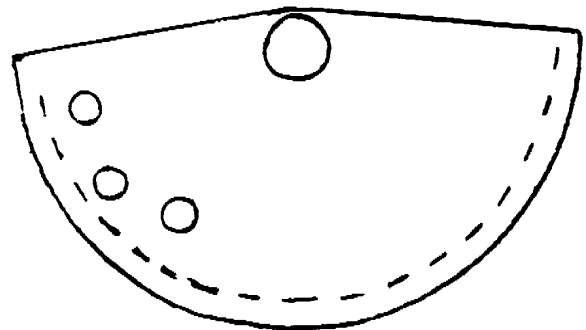
**PRE-SERIES 90 TRIPLE DEPTH CAN ROTOR**  
**801,201,15x.x1**



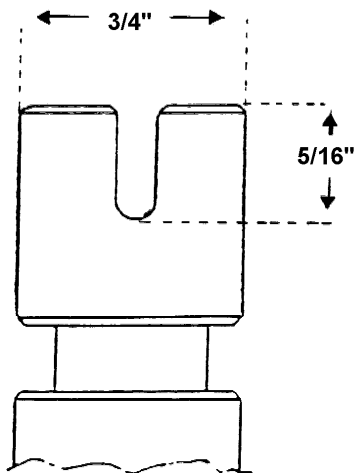
**Side View**



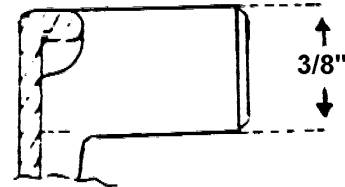
**Front View**



**Back View**



**Front Pin**

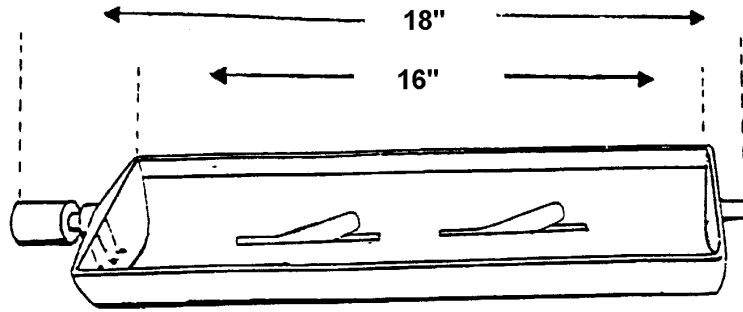


**Back Pin**

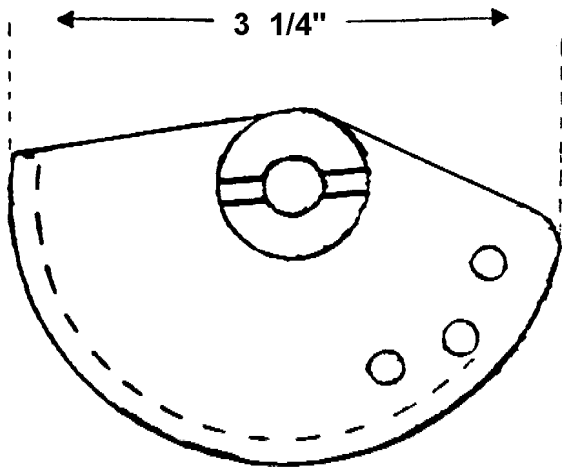
4<sup>th</sup> Qtr. 1984 to 1<sup>st</sup> Qtr. 1990  
 S/N 2775DI to 0001-3176AO

\* All Measurements Are Approximate

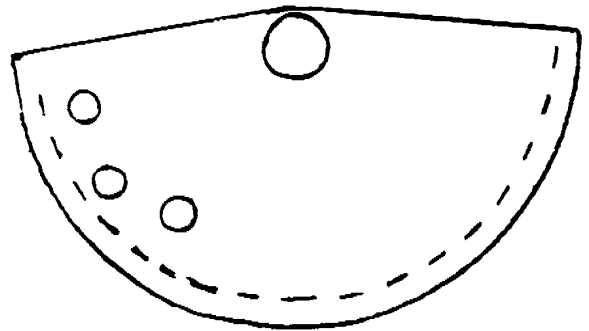
**PRE-SERIES 90 T-MODEL ROTOR  
801,201,10x.x1**



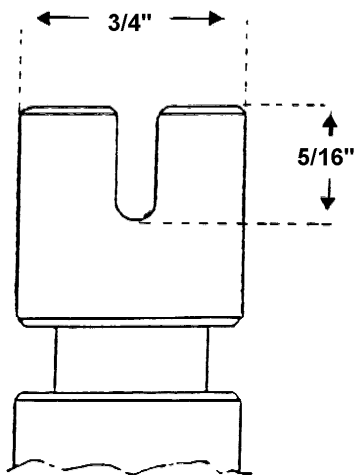
**Side View**



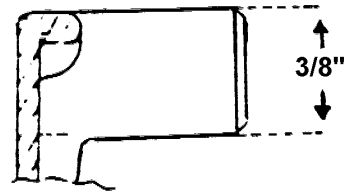
**Front View**



**Back View**



**Front Pin**



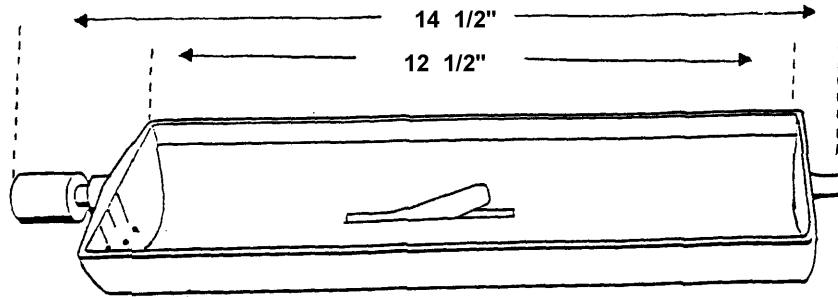
**Back Pin**

4<sup>th</sup> Qtr. 1984 to 1<sup>st</sup> Qtr. 1990  
S/N 2775DI to 0001-3176AO

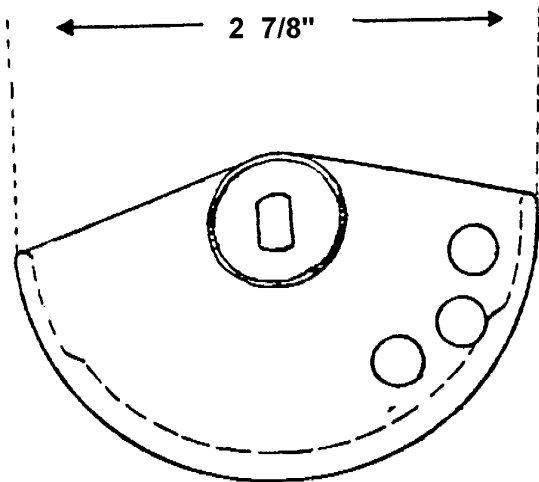
\* All Measurements Are Approximate



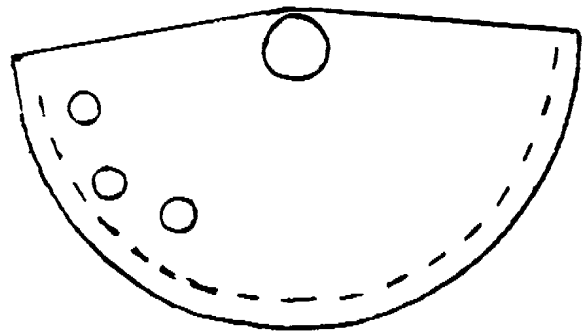
**SHIMLESS STACK SERIES 90 1 1/4" DEEPER ROTOR**  
**801,201,21x.x1**



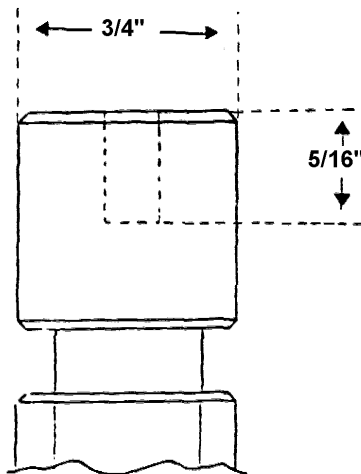
**Side View**



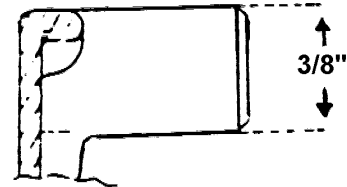
**Front View**



**Back View**



**Front Pin**

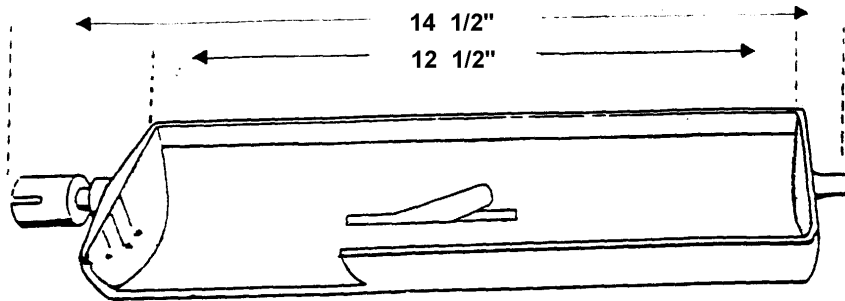


**Back Pin**

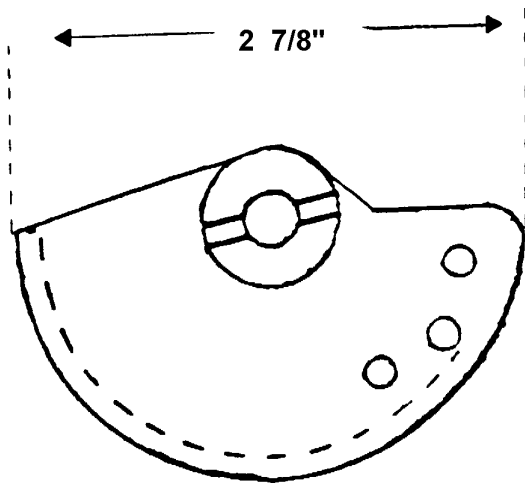
1<sup>st</sup> Qtr. 1990 to Present  
S/N 0001-3162AO and Higher

\* All Measurements Are Approximate

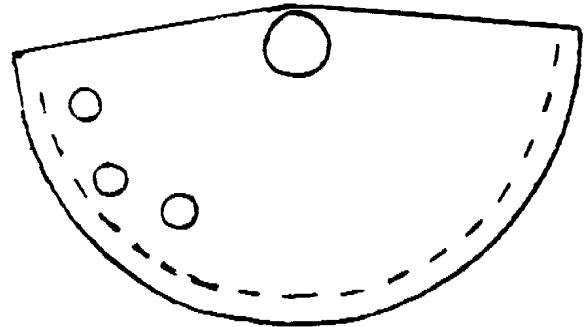
**PRE-SHIMLESS STACK 1¼" DEEPER ROTOR  
801,201,06x.x1**



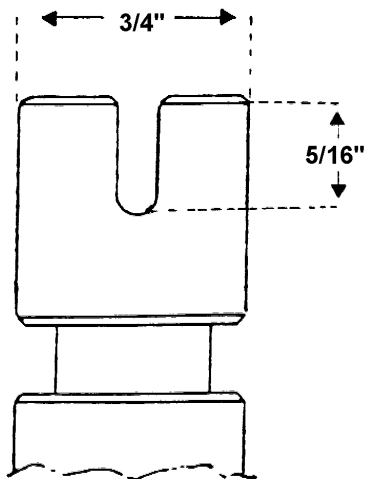
**Side View**



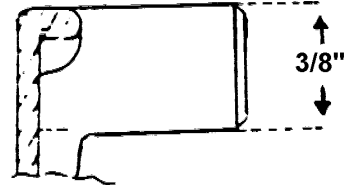
**Front View**



**Back View**



**Front Pin**

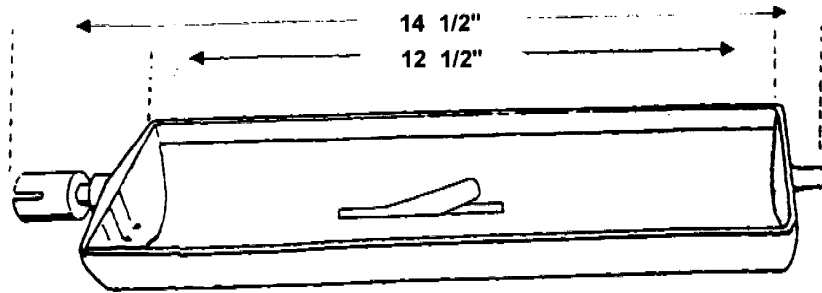


**Back Pin**

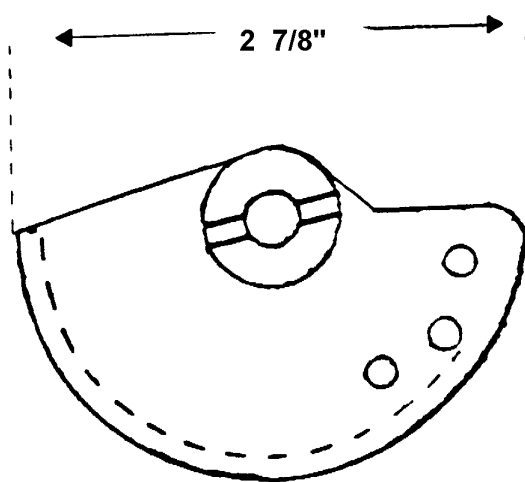
3<sup>rd</sup> Qtr. 1982 to 1<sup>st</sup> Qtr. 1989  
S/N 0001-2569CG to 0001-3098AN

\* All Measurements Are Approximate

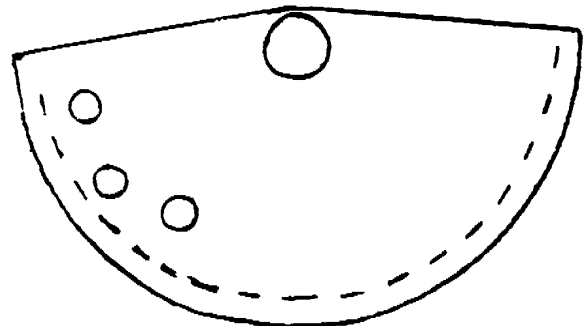
**SHIMLESS STACK 1¼" DEEPER ROTOR  
801,201,20x.x1**



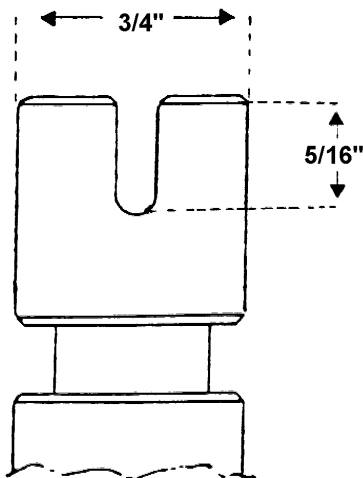
**Side View**



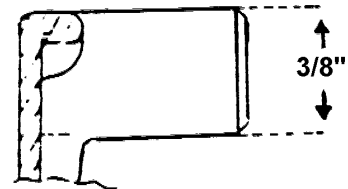
**Front View**



**Back View**



**Front Pin**

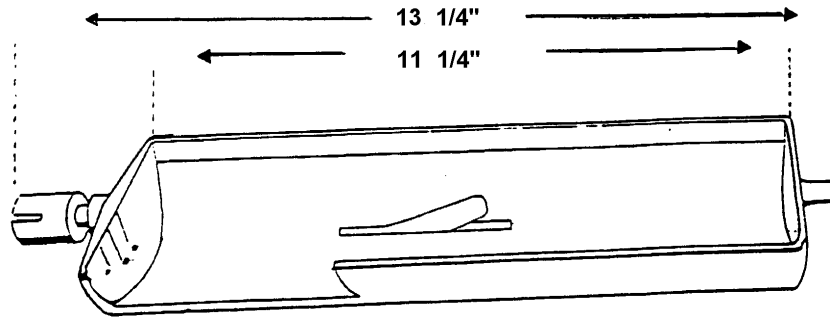


**Back Pin**

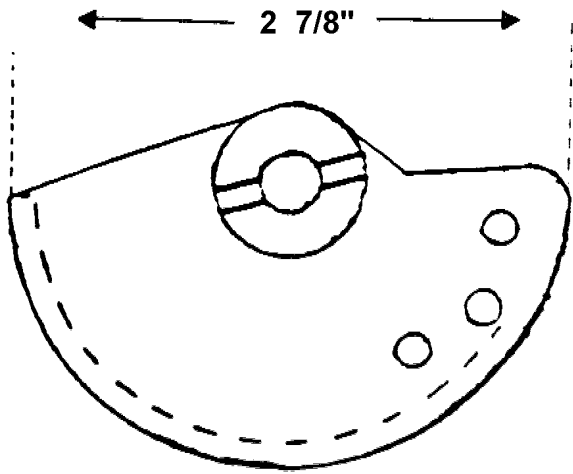
1<sup>st</sup> Qtr. 1989 to 1<sup>st</sup> Qtr. 1990  
S/N 0001-3098AN to 0001-3162AO

\* All Measurements Are Approximate

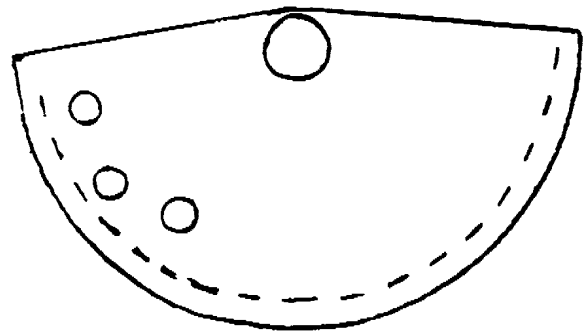
**STANDARD ROTOR (PRE-SHIMLESS / PRE 1¼" DEEPER)**  
**801,200,98x.x1**



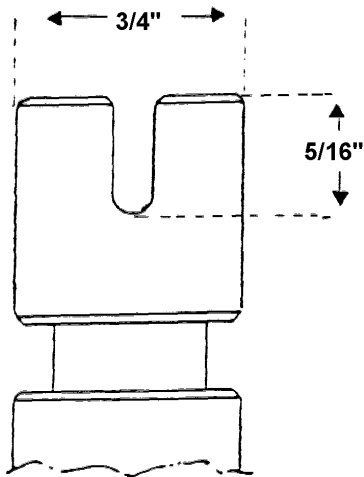
Side View



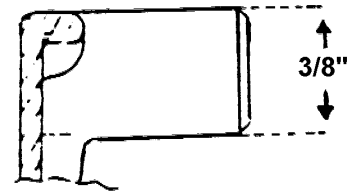
Front View



Back View



Front Pin



Back Pin

1<sup>st</sup> Qtr. 1980 to 3<sup>rd</sup> Qtr. 1982  
 S/N 0001-2327AE to 0001-2568CG

\* All Measurements Are Approximate